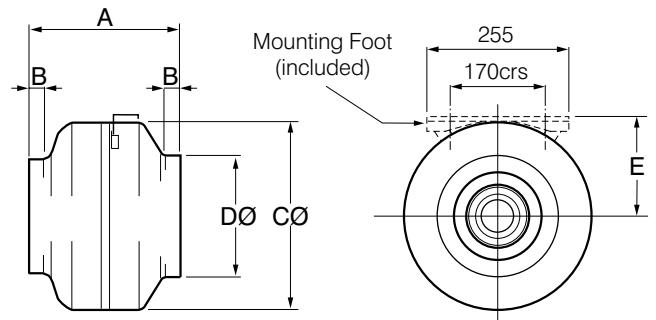


VENTMAJOR

IN-LINE DUCT MOUNTED FANS



Manufactured from high quality corrosion resistant galvanised steel.



The VentMajor Series of duct-mounted, all metal centrifugal fans is suitable for exhaust or supply air applications. These robust high performance fans can be used for a wide range of residential, commercial and industrial needs. There are 6 models in the range, matching standard duct sizes from 100 to 315mm diameter.

- High performance impellers of backward-curved centrifugal design ensuring a stall free operation.
- Robust galvanised steel construction.
- Designed for direct connection to standard diameter circular ducting.
- Suitable for both supply and exhaust air applications.
- Electrical junction box fitted to simplify installation.
- Mounting foot supplied as standard.

MODEL NO.	A	B	CØ	DØ	E
VM-100L	195	23	243	98	154
VM-125L	197	27	243	123	154
VM-150L	213	22	333	147	201
VM-200L	223	25	333	198	201
VM-250L	205	27	333	248	201
VM-315L	232	25	401	312	237

All dimensions in mm

MODEL NO. VM-...	M³/HR	L/SEC	FAN SPEED REV/SEC	AVG. dB(A) @ 3M	VM.. 1 PH.		MAX. °C
					WATTS	AMPS	
100L	277	77	42	47	75	0.33	60
125L	410	114	41	47	80	0.35	60
150L	700	194	45	50	120	0.53	60
200L	1000	278	43	52	170	0.72	60
250L	1100	306	46	54	180	0.80	60
315L	1630	453	45	57	315	1.30	50

*Amperages shown are a guide only. Refer to our Sales Department for accurate figures at time of order.