

# Forte

Premium Twin Spotlight with Sensor



Tri-colour



SAA



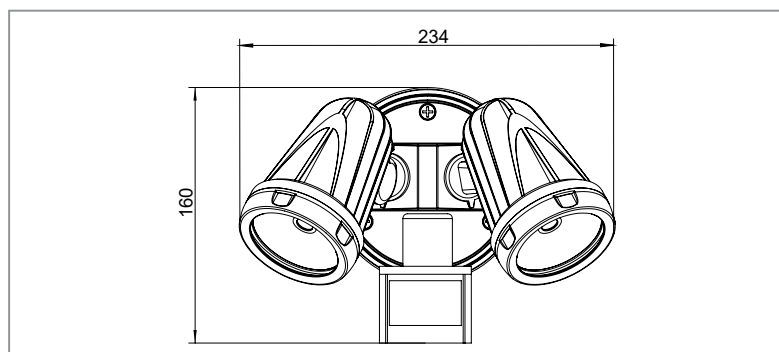
RA >80



## ■ FEATURES

- Die-cast aluminium body
- Quick fit - no electrician required for replacement
- Ceiling and wall mount
- Constant current driver
- Non-dimmable
- Tri-colour 3000k/4000k/5700k - switchable
- COB chip
- Internal aluminium heat sink
- Adjustable sensor - sensitivity, lux and time
- Built in daylight sensor
- 12 metre 180° detection range

## ■ DIMENSIONS



## ■ SPECIFICATIONS

Order Code	V345BS
Model Number	AL8F034502BS
Input Voltage	240v
Wattage	2 x 15w
Lumen Output	2050lm
IP Rating	IP54
Beam Angle	120°
Fitting Colour	Black
Dimming Option	No
Dimensions (mm)	234x160
Weight	1.03kg