

NEXA

BATHROOM HEATER

MODEL NO: N0311H4

FUNCTION: HEAT, LIGHT & FAN

Dear customer,

Thank you for selecting NES Bathroom Heater 3 in 1. Please read all instructions before commencing installation.

WARNING - INSTALLATION ONLY TO BE BY QUALIFIED PERSONS

1. Use this heater only as described in this manual. The manufacturer does not recommend any other use as this may cause fire, electric shock, or injury to persons. If you have questions, contact the manufacture or local agent.
2. All wiring must be carried out by a Licensed Electrician in accordance with the most current version of AS NZS 3000.
3. Make sure the power is off before the installation.
4. When cutting into the wall, do not damage electrical wiring and other hidden utilities.
5. The heater must be properly grounded.
6. The lamps are hot when in use. Do not touch the infrared lamps with any part of your body when in use.
7. For the purpose of avoiding any dangerous gas leaking into your bathroom, the ventiduct of the heater must not be laid together with the ventiduct of air-fueled water heater or other open-fire appliances into the same flue.
8. The disconnection may be achieved by having the plug accessible or by incorporating a switch in the fixed wiring in accordance with the wiring rules. The heater must be isolated from the power by means of a plug or all-pole disconnection switch with a contact separation of at least 3mm in each pole.
9. The power cable must stand a minimum 10A load.
10. The appliance is not intended for use by persons (including children) with reduced physical, sensory or mental capabilities, or lack of experience and knowledge, unless they have been given supervision or instruction concerning use of the appliance by a person responsible for their safety.
11. Children should be supervised to ensure that they do not play with the appliance.
12. Do not cover with any material and install clear of curtains or drapes.
13. Install the control switch such that it can not be operated by the person using the shower or bath.
14. The appliance shall, under no circumstances, be covered with insulating material or similar material.
15. All Regulations concerning the discharge of air have to be fulfilled during installation.
16. Joists, beams and rafters shall not be cut or notched to install the appliance.
17. Not suitable for 24/7 operation; do not run for more than 40 minutes; turn off when not in use.

IMPORTANT CONSIDERATIONS BEFOR INSTALLING

A few minutes of planning can make a big difference to the installation time and also to your satisfaction with the function of the unit.

1. The unit should not be installed directly above a shower or bathtub. The unit must not be installed in a position where water may splash onto the lamps.
2. The unit must not be installed beneath a fixed socket.
3. The unit is designed for installation in flat ceilings only. Do not mount it on a sloping ceiling or a vertical wall.
4. The infrared lamps are most effective when you are standing directly beneath them, so generally the unit would be mounted a place where you would stand to dry yourself.
5. For the exhaust fan to work efficiently, replacement air of a volume equivalent to what is being extracted must be able to enter the room. Generally this air would be drawn under the door, or through a slightly open window. If the room is airtight, the fan will function poorly.
6. Before commencing any cutting, check in the ceiling space that there are no obstructions such as ceiling joists and that there is sufficient height clearance for the housing. Check that the electrical wiring can be routed from the wall switches to the mounting location.

INSTALLATION

1. Cutting a vent

Locate a vent position (above the ceiling) on the wall, and then cut a 105mm diameter hole at this very position.

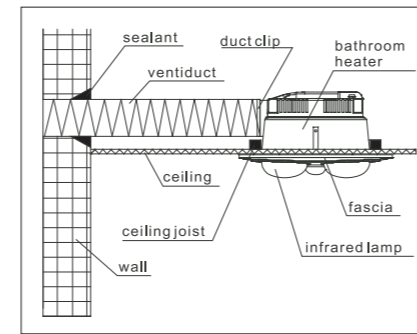
2. Ducting

Connect one end of the 100mm diameter ventiduct, then let the other end enter the room through the hole into the vent hole and seal space around the hole.

Note: Since the length of each duct is 1.5m, make sure that from the centre of installation position there should be a distance within 1.5m to the vent. It is not recommended to use more than 1.5m ducting as this will affect the performance of the fan.

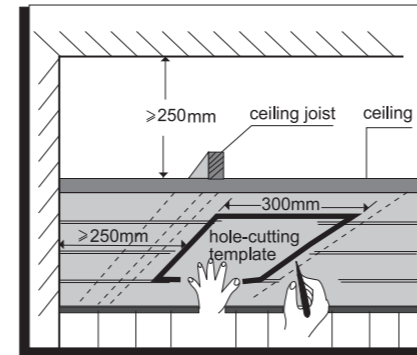
3. Locating the heater

For the purpose of obtaining best heating effect, from the lamps there should be about a 2.3m overall height to ground.



4. Prepare the ceiling

Cut around the attached hole-cutting template and use this template to mark the hole outline on the ceiling. Make sure a distance between the edges and any wall is no less than 250mm, clear of insulation or any other material (use barrier to keep loose-fill insulation material away). Also from the rooftop there should be a minimum 250mm height to the ceiling. The top of the installed unit must not be covered with insulation or any other material.



5. Remove the Fascia

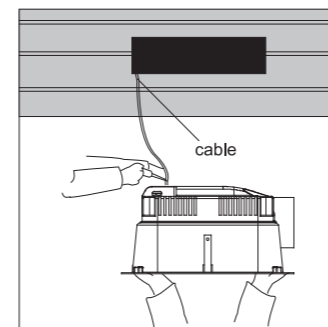
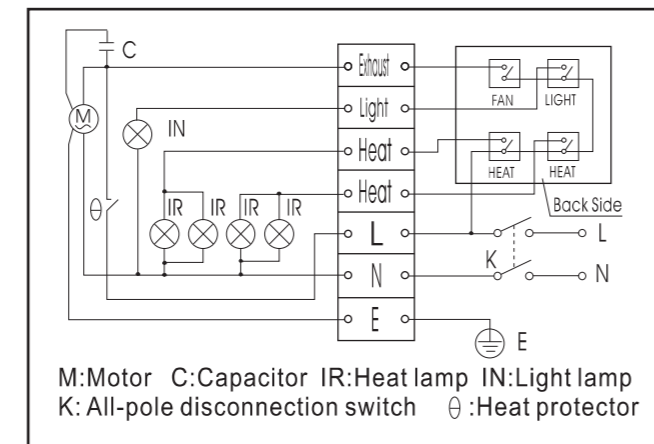
Remove all lamps form the heater. Unclip the internal fascia-retaining springs inside the housing. Remove the fascia.

Note: Do not force when removing the heating lamps.

6. Wiring

Connect one end of the interconnecting wire with the switch panel, and then drag the other end power cable out of the hole on ceiling. Open the terminal block cover on the housing and make connection as the wiring diagram instructs, then reposition the terminal block cover. Tuck the redundant wire into the ceiling so as to leave the housing enough room to fix in.

Note: Ensure that the power is turned off before carrying out any work on electrical installations.



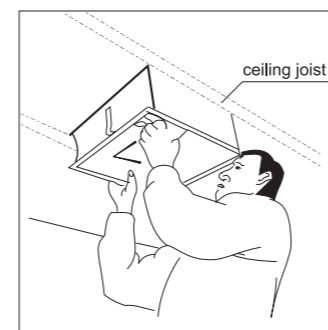
7. Fit the in-house end of the duct to the fan outlet, and fix the end with duct clip.

Note: Keep the route as straight as possible.

8. Position the housing into the hole

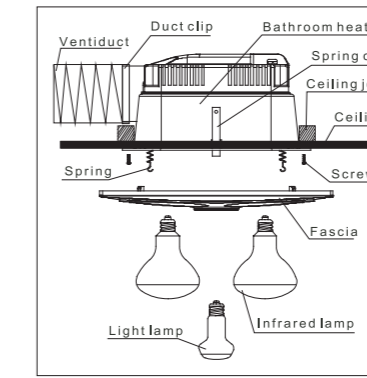
Choose an optimal direction to put the housing into the hole in accordance with the position of the fan outlet. Use the two spring clips to fix the housing. Ensure that the unit is held securely by the clips.

Note: Try to keep the redundant wire away from the housing.



9. Fix the housing

Use four wooden screws to fix the unit in the ceiling.



10. Final Installation

1) Replace the Fascia
Replace the fascia and retaining springs.

2) Replace the Lamps
Ensure the lamps are tightened sufficiently to make good electrical contact. Clean the lamps and fascia.

3) Fix the Switch Panel to the Wall
Fit the switch panel onto the wall to prevent power cable form standing traction. Make sure the fixing position should be good enough to avoid water splash.

Note: The switch wiring should be mounted inside the wall to give the switch an integrated built in appearance. If it is necessary to run the wiring on the outside of the wall, use a suitable conduit and fixings to properly located and hold the wiring used.

USE

Our bathroom heater uses the infrared heating lamps as a source of heat. It also combines the functions of exhaust and light.

1. Heat

Turn on/off 'HEAT' button.
This model is supplied with two groups of two infrared lamps each. You can turn on one or both of them for best heating effect.

Note: Don't touch the infrared lamps with any part of your body when in use.

2. Exhaust

Turn on/off 'FAN' button.
The heater can exhaust odour and steam in a quick and efficient way by turning on the 'FAN' button.

3. Lighting

Turn on/off 'Light' button.

Note: Do not turn on/off the buttons frequently when in use. Shut off power if in long vacancy.

MAINTENANCE

1. Clean

- 1) Shut off power before cleaning.
- 2) Wipe lamps and fascia with care by a soft cloth soaked with neutral detergent.

Note: Ensure the lamps are cool to touch before handling.

2. Lamp Replacement

- 1) Check and tighten lamps regularly.
- 2) Shut off power before replacement.
- 3) Use maximum 100W R63 Reflector lamp with E27 base.
- 4) Use 4x275W E27 infrared heat lamps.

Note: It may affect operation (even cause danger) when lamps, other than the designated ones, are used.

MAIN TECHNICAL PARAMETERS

Model Number	N0311H4
Rated Voltage	230V-240V
Rated Frequency	50Hz
Rated Power	1090-1190W

LIST OF ACCESSORIES

Operation unit	1 piece
Infrared lamp (E27)	4 pieces
R80 reflector lamp (E27)	1 piece
Installation instruction & hole-cutting template	1 piece
Ventiduct kit	1 set
Duct clip	1 piece
Switch	1 piece

Fill out the following details and file with the purchase invoice.

MODEL NO:

Purchased from: _____

Date of purchase: _____

We reserve the rights to revise this instruction without any prior notice.