



Replacement  
Warranty\*

# 100W DIY TRICOLOUR LED SECURITY FLOOD LIGHT

The Guard Tricolour LED security flood light is a durable outdoor light with a modern appearance. This security flood light is constructed from aluminium with a tempered glass front cover.



Tricolour  
LED



Weather  
Resistant Rating



Brightness



120°  
Beam  
Angle



CRI



LED Lamp  
Life



Tilt Up/Down  
Rotation



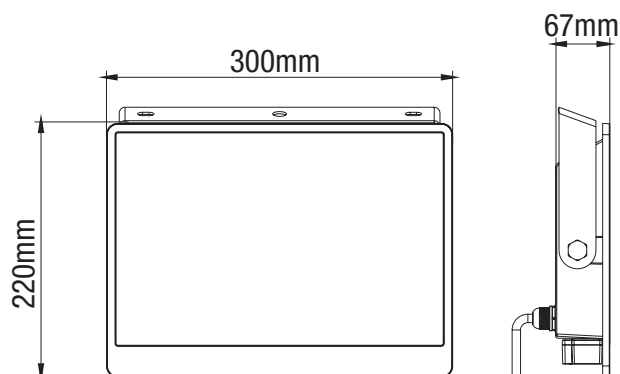
DIY  
Installation

- DIY installation, no electrician required
- Modern black design
- Made from aluminium and tempered glass
- 100W Tricolour LED light

## INCLUDES

600mm flex and plug

## DIMENSIONS



## 100W DIY TRICOLOUR LED SECURITY FLOOD LIGHT

### FEATURES

- Modern design
- DIY pre-wired 600mm cable and 3 pin mains plug
- Made from premium grade aluminium and tempered glass
- Durable black powder coated finish
- Stainless steel hanging bracket
- 100W Tricolour LED light
- Inbuilt Tricolour waterproof switch included
- Fitted with high efficiency SMD-LED chips
- IP65 weather resistant
- High performance aluminium reflector

### SPECIFICATIONS

|                                    |   |
|------------------------------------|---|
| <b>Model name</b>                  | Guard   |
| <b>Model number</b>                | MLXG34100M                                      |
| <b>Power (wattage)</b>             | 100W  |
| <b>Voltage</b>                     | 220v – 240v                                     |
| <b>Frequency</b>                   | 50/60Hz   |
| <b>Switchable Tricolour Lumens</b> | 3000k- 7000lm<br>4000k- 8000lm<br>5000k- 8000lm |
| <b>Colour temperature</b>          | 3000k / 4000k / 5000k                           |
| <b>LED light beam angle</b>        | 120°  |
| <b>Product size (mm)</b>           | W300 x H220 x D67                               |
| <b>Material</b>                    | Aluminium and tempered glass                    |
| <b>CRI</b>                         | >80   |
| <b>Approximate lamp life</b>       | 25,000hrs                                       |
| <b>Weather resistance rating</b>   | IP65  |



### INSTALLATION

|                     |  |
|---------------------|--|
| <b>Installation</b> | DIY installation fitted with plug and lead |
| <b>Warranty</b>     | 2 year replacement warranty*               |

\* For further information regarding warranty terms and conditions, please refer to enclosed warranty statement. Warranty is void unless installed by a licensed electrician.

### SHIPPING


|                       |                         |
|-----------------------|-------------------------|
| <b>Packaging size</b> | L312mm x H228mm x D88mm |
| <b>Gross weight</b>   | 2.7kg                   |
| <b>Carton qty</b>     | 3                       |

### AVAILABLE IN BLACK



Black



| Model       | Colour | Barcode  |
|-------------|--------|--|
| MLXG345100M | Black  | <br>9312375506461 |