



Replacement
Warranty*

TRICOLOUR LED SECURITY LIGHT WITH PIR SENSOR

The Patrol Tricolour LED single security panel light with PIR motion sensor light is a strong and robust designed power flood light with the latest inbuilt PIR sensor control technology.

Secure your home with the Martec Patrol sensor light featuring adjustable time, motion and light sensitive settings. This LED security light comes on when it detects movement, making it ideal for entry ways, alfrescos, garages and walkways to deter intruders or welcome you as you arrive home. This light must be installed by a licensed electrician.



Tricolour
LED



Power
Wattage



Brightness



Beam
Angle



Energy
Efficient



CRI



LED
Lamp Life



Detection
Motion Sensor



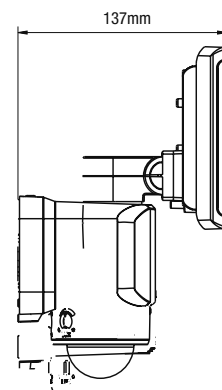
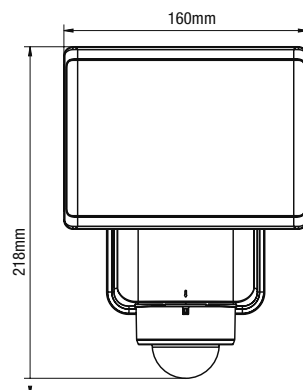
IP
Rating

- 20W Tricolour LED light
- $\geq 1400\text{lm}$
- Up to 12m detection distance
- 180° sensor detection angle
- Adjustable light duration time
- Day to night adjustable

INCLUDES

Built in sensor with detection distance up to 12 metres

DIMENSIONS



Aust/NZ Approval No.
GMA-505964-EA

20W TRICOLOUR LED SECURITY LIGHT WITH BUILT IN PIR SENSOR BLACK

FEATURES

- 20W energy saving LED
- PIR built-in sensor control with adjustable detection sensitivity
- Adjustable time delay
- Up to 12m detection distance
- Tricolour LED switchable 3000k, 4000k, 5000k
- IP44 weather rated
- Up to 25,000hrs LED lamp lifespan

SPECIFICATIONS

Model name	Patrol
Model number	MLXP34520MS
Power (wattage)	20W
Voltage	220v-240v
Frequency	50Hz-60Hz
Switchable Tricolour Lumens	3000k-1400lm 4000k-1600lm 5000k-1600lm
Colour temperature	3000k / 4000k / 5000k
LED light beam angle	120°
Product size (mm)	W160 x H218 x D137
Material	Polycarbonate & aluminium
LED Type	40x0.5w
CRI	≥80
Approximate lamp life	25000hrs
Weather resistance rating	IP44
Sensor detection angle	180°
Duration time	10±5s to 4±1min, adjustable
Detection distance max	12m
Lux control level	From day to night adjustable with non-isolated driver; with Tricolour switch



* For further information regarding warranty terms and conditions, please refer to enclosed warranty statement. Warranty is void unless installed by a licensed electrician.

INSTALLATION

Installation	By licensed electrician only
Warranty	2 year replacement warranty*


*Please refer to warranty conditions.

SHIPPING

Packaging size	L200mm x H170mm x D145mm
Gross weight	620g
Carton qty	6
Pallet qty	60 cartons

AVAILABLE IN BLACK



Model	Colour	Barcode
MLXP34520MS	Black	 9312375506348